

## *Bring you to the wireless world ...*

**Wellshow Technology Co., Ltd** is the top manufacturer of mini coaxial cable assembly in Taiwan by owning high productive and precise manufacturing equipment, excellent trained operator, strict production process, and stringent quality control.

The main products are focused on ultra thin coaxial connector cable assemblies, such as Hirose U.FL / H.FL / W.FL, Murata GSC and IPX MHF / MHFIII connector cables.

Our high level manufacturing equipment and strict manufacturing process bring high productivity and stable quality, and also bring competitive price and short lead time for every customer.

Following is the specification of various ultra mini micro coaxial connectors and please just contact us if you are interested in. Your inquiry is the most welcome and will be responded in 24 hours with the most competitive price.



### **Our contact information ...**

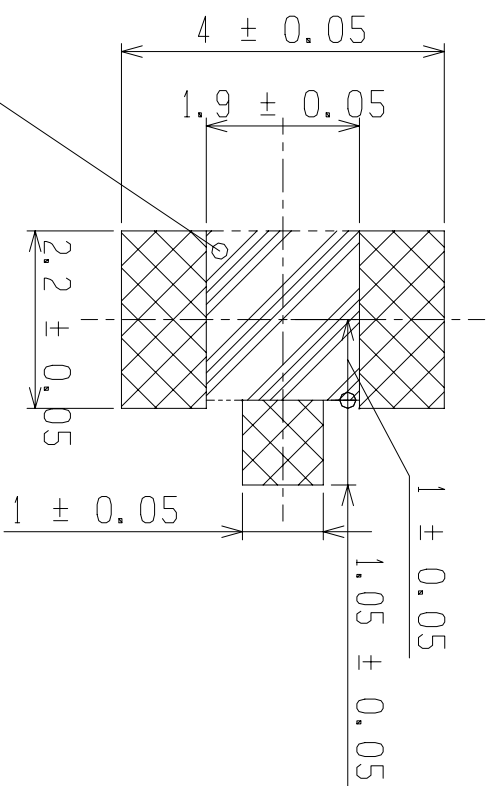
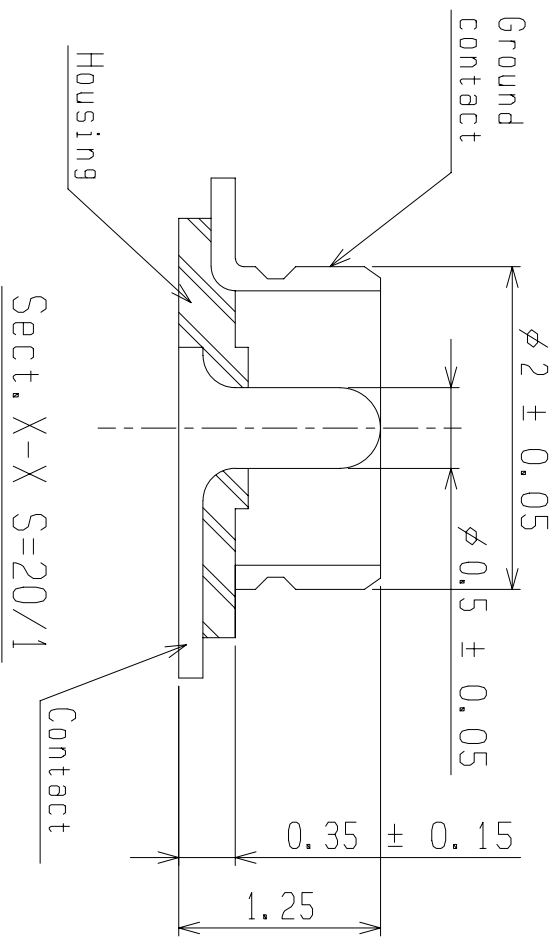
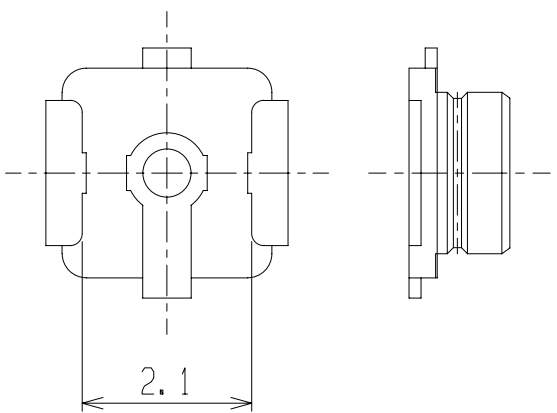
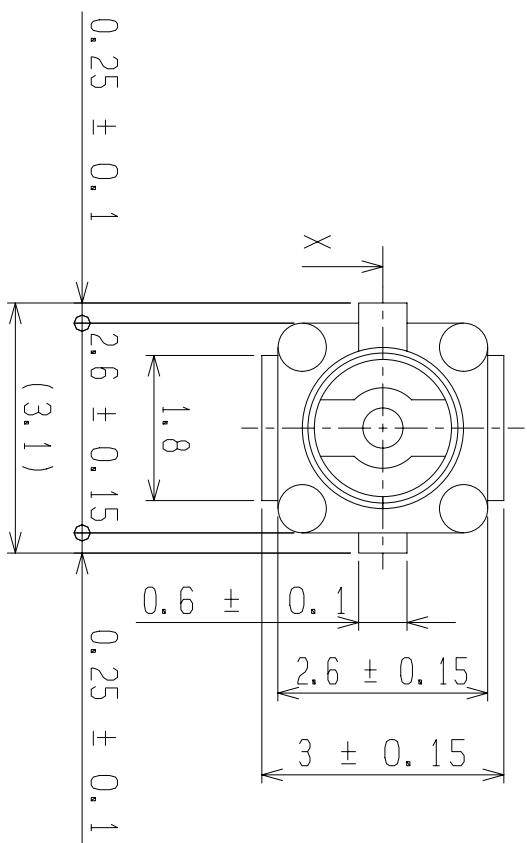
Email: [sales@wellshow.com.tw](mailto:sales@wellshow.com.tw)

MSN: [sales@wellshow.com.tw](mailto:sales@wellshow.com.tw)

Skype: sales.wellshow

TEL: 886-2-24239376 / Fax : 886-2-24260387

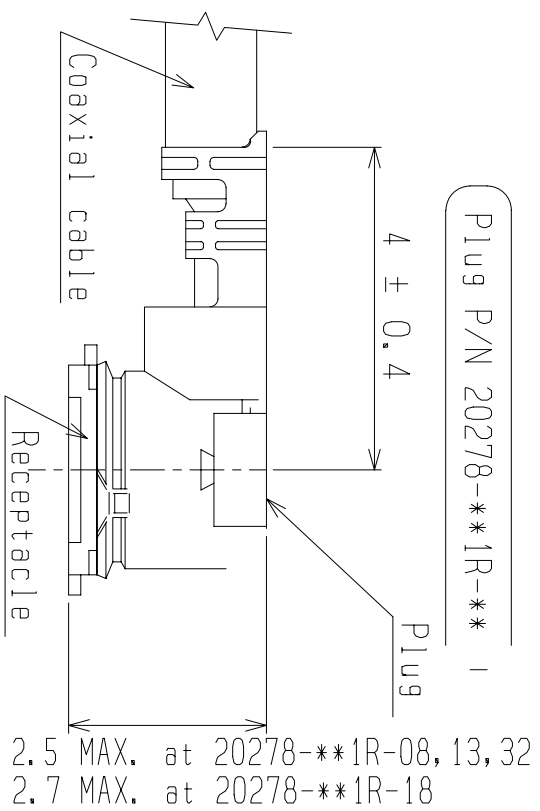
Web: <http://www.rfcoaxcable.com> , <http://www.wellshow.com.tw>



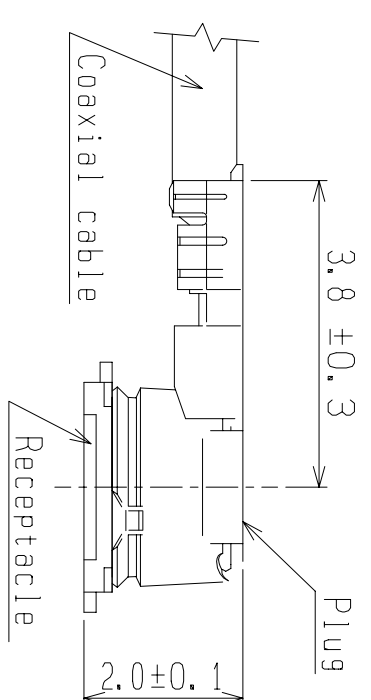
Cut out prohibition area  
パターン禁止エリア

RECOMMENDED FOOTPRINT PATTERN

MATING



Plug P/N 20311-\*\*\*1R-08



Notes

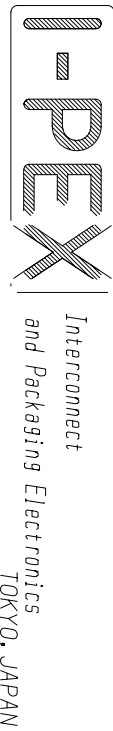
- Material  
(1) Housing : LCP , UL94V-0 , white  
(2) Contact : brass , gold plating  
(3) Ground contact : phosphor bronze , gold plating
- Coplanarity : 0.1mm MAX.
- Packing : emboss tape
- Mating partner part No.  
: 20278-\*\*\*1R-\*\*\*  
: 20311-\*\*\*1R-08

Notes

- 材料  
(1) ハウジング:LCP, UL94V-0, 白色  
(2) コンタクト:黄銅, 金メッキ  
(3) グラウンドコンタクト:りん青銅, 金メッキ
- コプラナリテ: 0.1mm MAX.
- 梱包 : インボスタペ
- かん相手 part No.  
: 20278-\*\*\*1R-\*\*\*  
: 20311-\*\*\*1R-08

GENERAL TOLERANCE	
6 MAX.	±0.2
6 OVER MAX.30	±0.3
30 OVER MAX.120	±0.5
ANGLE	±2°

DESIGN'D BY	K. Ohbayashi	DATE	JUN/07/01
CHK'D BY	A.H. MER/07/02	DATE	JUN/07/01
APP'D BY	E. Kawabe	DATE	JUN/07/01
REV. ECN	BY	DATE	APP
0	Z1103	K.O	JUN/07/01
REV. RECORD		K. Katabuchi	
SERIES No.		2814	
CUSTOMER COPY		PROJECTION	
SCALE		UNIT	
10/1		mm	
DWG. No.		20279	
SHEET		REV.	
1/1		3	



MHF series micro coaxial  
connector receptacle vertical