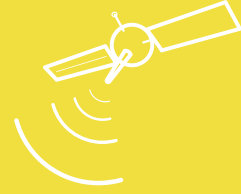




**Wellshow**  
Always Innovation



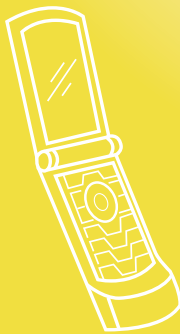
047



## PRODUCT SPECIFICATION

# WLAN 2.4/5.8G Dipole Antenna

Product No. AR003WSW0319N (RP-SMA Plug)  
AR003WSW0301N (SMA Plug)



RF Connector, RF Cable & Antenna Manufacturer

E-mail: [sales@wellshow.com.tw](mailto:sales@wellshow.com.tw)  
Tel: +886-2-24239376 Fax: +886-2-24260387  
9F., No.181, Nanrong Rd., Ren-ai Dist., Keelung City 200, Taiwan (R.O.C.)

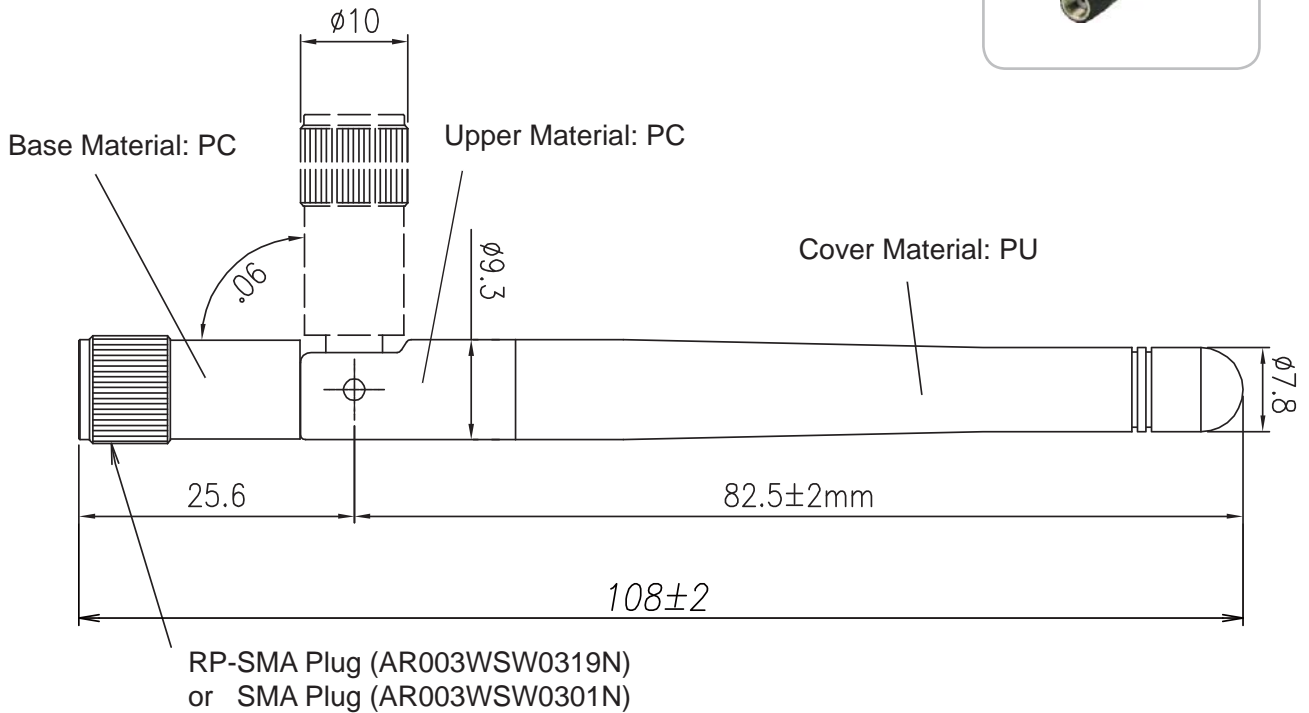


# WLAN 2.4/5.8G Dipole Antenna

Product No. AR003WSW0319N (RP-SMA Plug)  
AR003WSW0301N (SMA Plug)



## Structure Figure



## Mechanical

Antenna Cover	PU
Antenna Base	PC
Operating Temperature	-20°C~+65°C
Storage Temperature	-30°C~+75°C
Connector	RP-SMA Plug or SMA Plug

## Electrical

Frequency Range	2.4 GHz ~ 5.8 GHz
Impedance	50 Ω
VSWR	2.0 Max (2.4~2.5GHz & 5.15~5.825GHz)
Return Loss	- 10 dB Max (2.4~2.5GHz & 5.15~5.825GHz)
Certain Direction	Omni
Max Gain	1.5 dBi @ 2.5 GHz 2.1 dBi @ 5.825 GHz